

## 30-50GHz Low Noise Amplifier

### High gain=38dB, NF=2.8dB, 2.4mm



#### Product Overview

AT-LNA-3050-3828T is high gain low noise amplifier with 38dB gain in the frequency of 30-50GHz. The DC power requirement is +5V/150mA. The module is with connector 2.4mm Female.

AT Microwave can provide all kinds of coaxial low noise amplifiers, with frequency from 0.01-67GHz, gain from 20 to 60dB, Pout from +5 to +40dBm, and connectors from SMA to 1.85mm. If you don't find what you need, just send us email [sales@atmicrowave.com](mailto:sales@atmicrowave.com)

#### Advantages

- ✓ Frequency: 30-50GHz
- ✓ Small signal gain: 38dB
- ✓ NF=2.8dB
- ✓ Single Power Supply

#### Application

- ✓ 5G Communication
- ✓ Test Equipment
- ✓ ROF (RF Over Fiber)
- ✓ Radar System

#### Key Features

Parameter	Min	Typical	Max
Frequency		30-50GHz	
Gain	35dB	38 dB	
Gain Flatness		+/-3dB	
Input Power		-30dBm	-20dBm
NF		2.8dB	3.8dB
P1dB		+10dBm	
Psat		+13dBm	
Drain Supply		+5V	+8V
Current		150 mA	
Input Return Loss		-10dB	
Output Return Loss		-10dB	
Spec Temp		25C	





# AT-LNA-3050-3828T

## 30-50GHz Low Noise Amplifier

### Mechanical Information

Item	Description
Input Port	2.4mm Female
Output Port	2.4mm Female
Case Material	Copper
Finish	Gold Plated
Weight	50g
Size:	See outline

### Absolute Maximum Ratings Table

Parameter	Value
Drain Supply	+13V
RF Input Power	+10 dBm
Operating Temperature(note)	-20 to + 70C
Storage Temperature	-65 to +150C

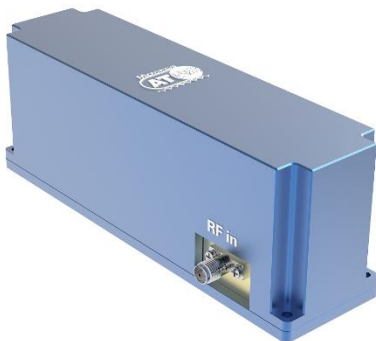
Note: -40 to +85C is available according to request.

### Notes:

1. Datasheet may be changed according to update of MMIC, Raw materials , process, and so on.
2. This data is only for reference, not for guaranteed specifications.
3. Please contact AT Microwave team to make sure you have the most current data.

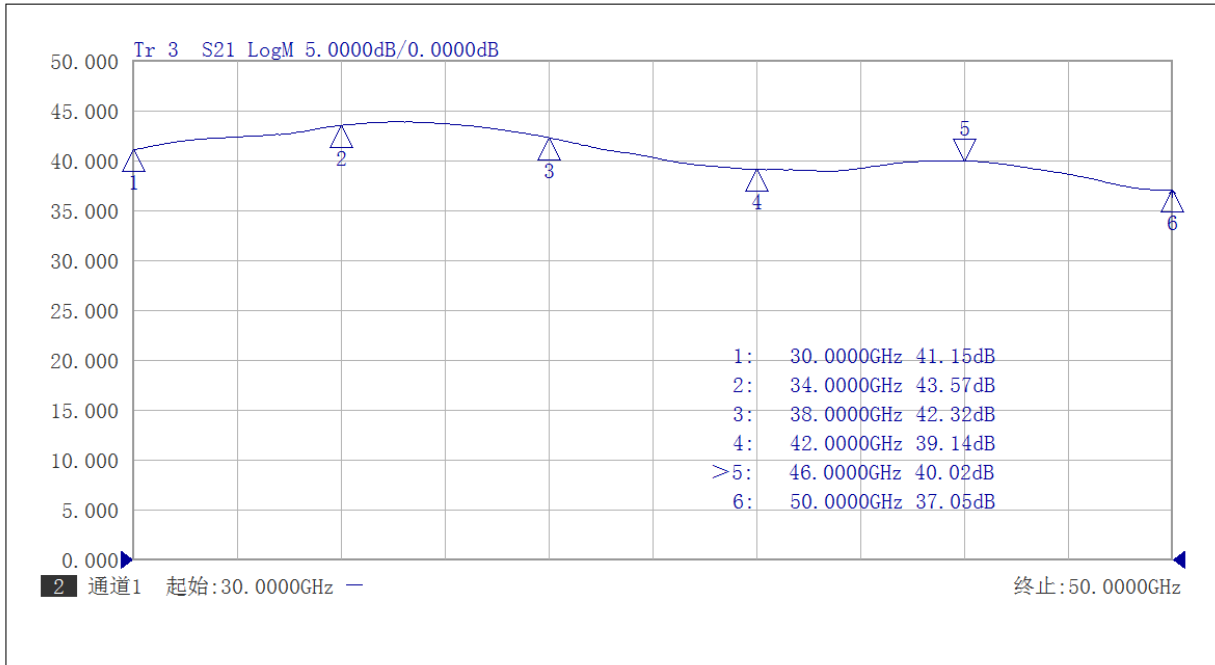
### Part Number Selection Guide

Item	Description
PN	Stand Module with DC Power Supply
<b>PN-LCBT</b>	<b>L</b> ow Cost, <b>C</b> ompact <b>B</b> ench- <b>T</b> op, +220V Supply with AC/DC Adapter

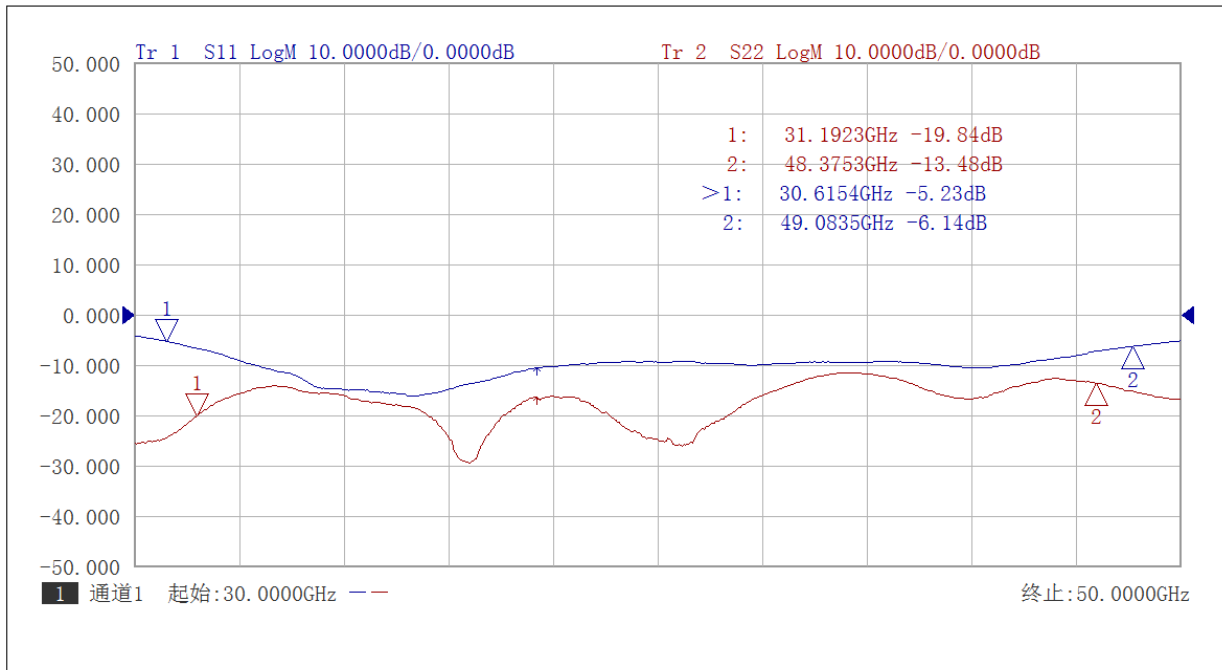


### Test Data (25C)

Please note that test curves will vary slightly from unit to unit.

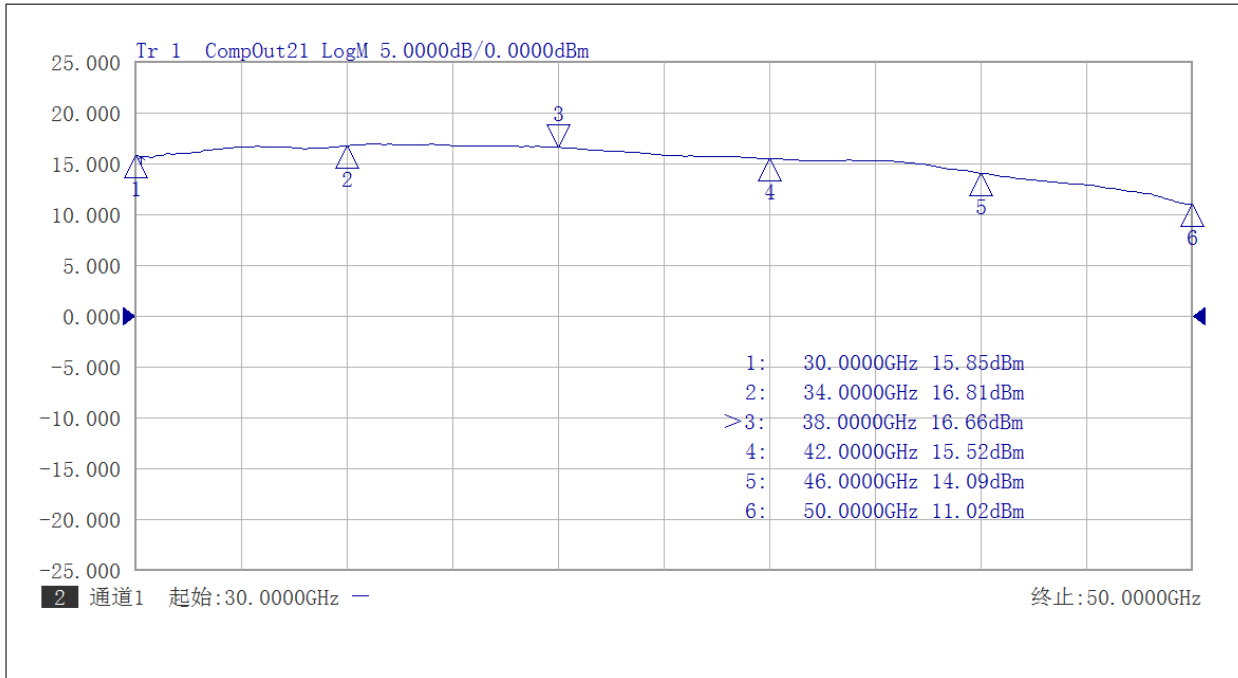


Gain vs Frequency

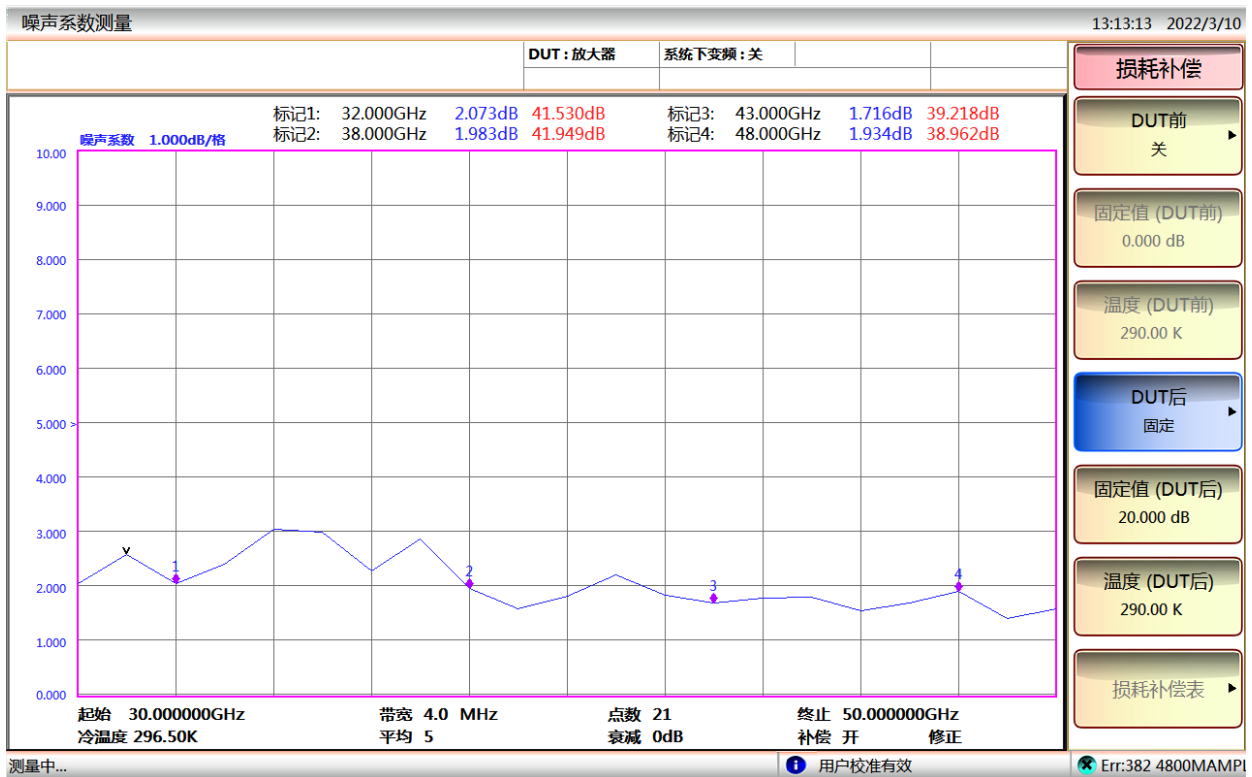


Return Loss vs Frequency





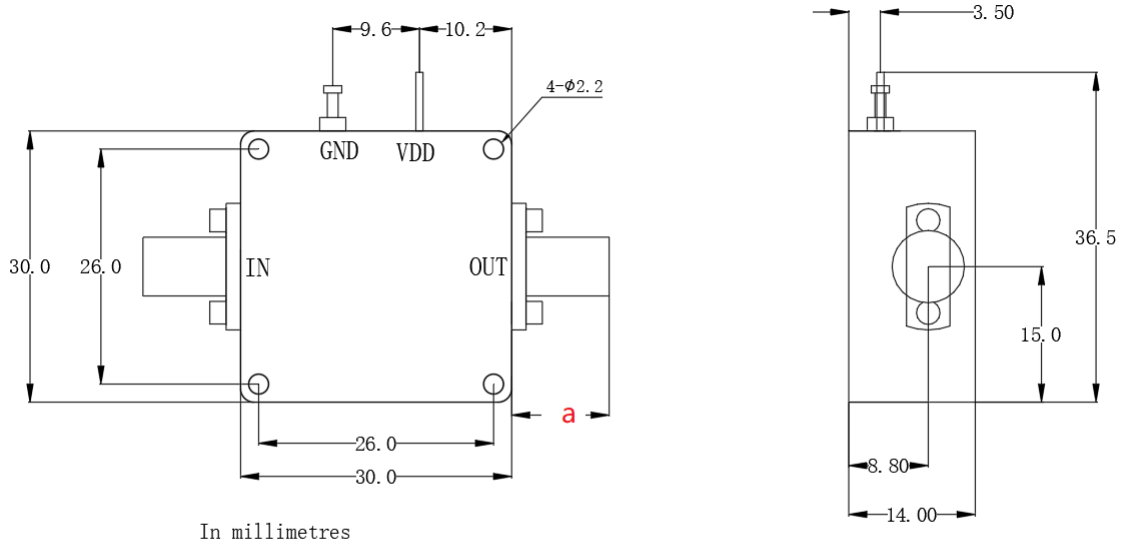
P1db vs Frequency



NF vs Frequency



**Dimension:** (unit in mm)



	<26.5GHz	<40GHz	<50GHz	<67GHz
Connector	SMA	2.92mm	2.4mm	1.85mm
Lenth of a	9.4mm	9.5mm	10.8mm	11.3mm

Note: Female Default. Contact with us for other types.

